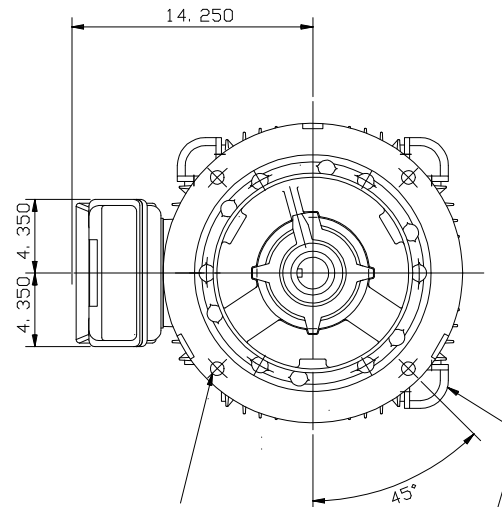


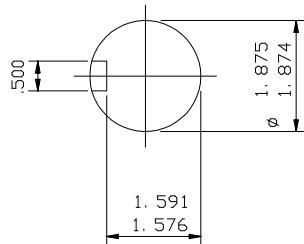
LIFTING LUGS

CABLE ENTRY
SCREWED 3" N. P. T.



4 HOLES .8125
EQUALLY SPACED
ON 16 P. C. D.

THIS LIFTING LUG FITTED
ONLY WHEN MOTOR IS
VERTICALLY MOUNTED.




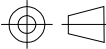
ENLARGED VIEW OF
SHAFT EXTENSION

NOTE: -
CABLE ENTRY CAN BE SUPPLIED IN
ANY ONE OF FOUR POSITIONS AT
90° INTERVALS.

NOTE: -
STANDARD MACHINES ARE ARRANGED FOR HORIZONTAL OVERHUNG MOUNTING.
CUSTOMERS SHOULD NOTIFY US WHEN ORDERING IF VERTICAL MOUNTING
IS REQUIRED. IF VERTICAL, THE MOTOR THRUST BEARING MUST NOT BE
ALLOWED TO TAKE ANY LOAD OTHER THAN THE WEIGHT OF THE ROTOR
WITHOUT OUR APPROVAL.

CUSTOMER		
ORDER No.		
SERIAL No.		
FRAME SIZE		
HP	RPM.	
Hz	PHASE 3	
VOLTS	POLES	
BRGS.	DE.	NDE.
MOTOR NETT. WT.	Kg.	
INSULATION CLASS		
TEMPERATURE RISE °C		
DESIGN AMBIENT TEMPERATURE °C		
HEATER WATTS & VOLTS		
WATTS,	VOLTS	

REMARKS	
	

ALL DIMENSIONS IN INCHES	
	THIRD ANGLE PROJECTION

	
Large Industrial Motors GUISELEY, LEEDS, LS20 9NZ.	

NOTE 1
* ENDPLAY WILL BE PROVIDED FOR ENDTHRUST
PROTECTION WHEN CUSTOMERS NOTIFY US OF THEIR
INTENTION TO USE RIGID COUPLINGS AND DRIVEN
MACHINES WITHOUT ENDPLAY.

OUTLINE DIMENSIONS OF STANDARD D FLANGE MOUNTED INCH A. C. MOTOR
TO NEMA STD. MG1. TOTALLY ENCLOSED FAN COOLED.
FITTED WITH SIDE MOUNTED TERMINAL BOX
FRAME SIZE :- W-DF365TS-N (2 POLE)

SCALE	1:7	DATE
DRAWN	B.T.HOMES	22.2.94
CHECKED	B.J.T.	22.2.94
APPROVED	I.J.W.	22.2.94

DRG. No.	M9567	
REVISION:		DATE